

FiberOptic

TELEVISION

Self-Install Guide

Frontier® FiberOptic TV Equipment:

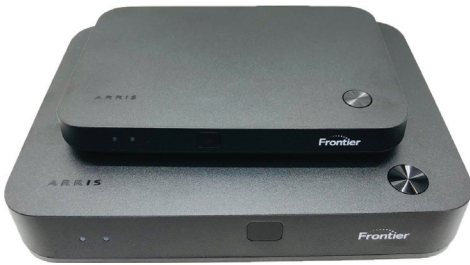


VMS1100



IPC1100

FMS2



IPC4100



IP815

Step 1 Internet Router Set Up	3
Step 2 TV Equipment Set Up	4
Installing a DCT700 Digital Adapter	5
Installing a CableCARD	6

Step 1 | Internet Router Set Up

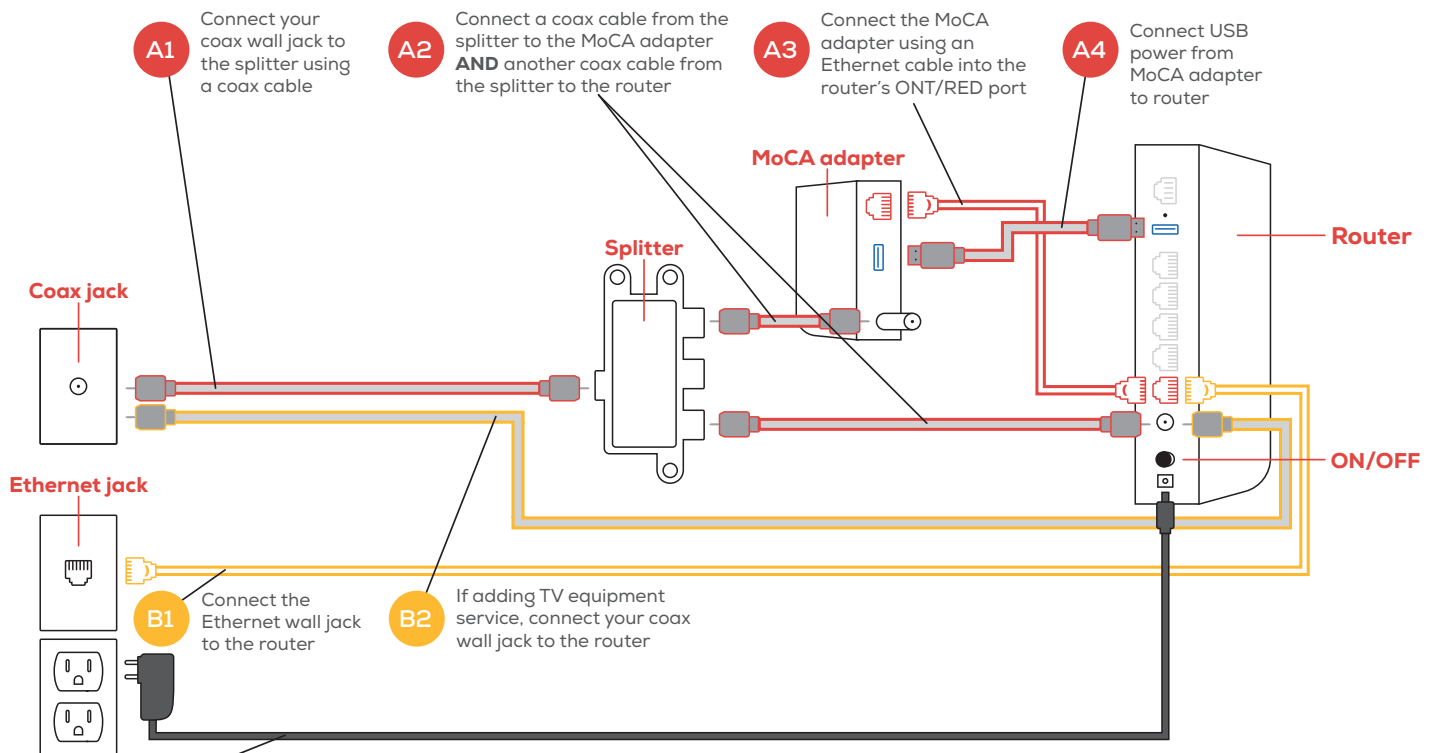
Tips

- For best Wi-Fi coverage, place your router in a central location
- If you are also connecting TV equipment, install your router first


A If you received a MoCA adapter, follow Step A (the red connections)


-OR-

B If you did NOT receive a MoCA adapter, follow Step B (the orange connections)



 Plug the power cord into the electric outlet, connect the router and press the ON button

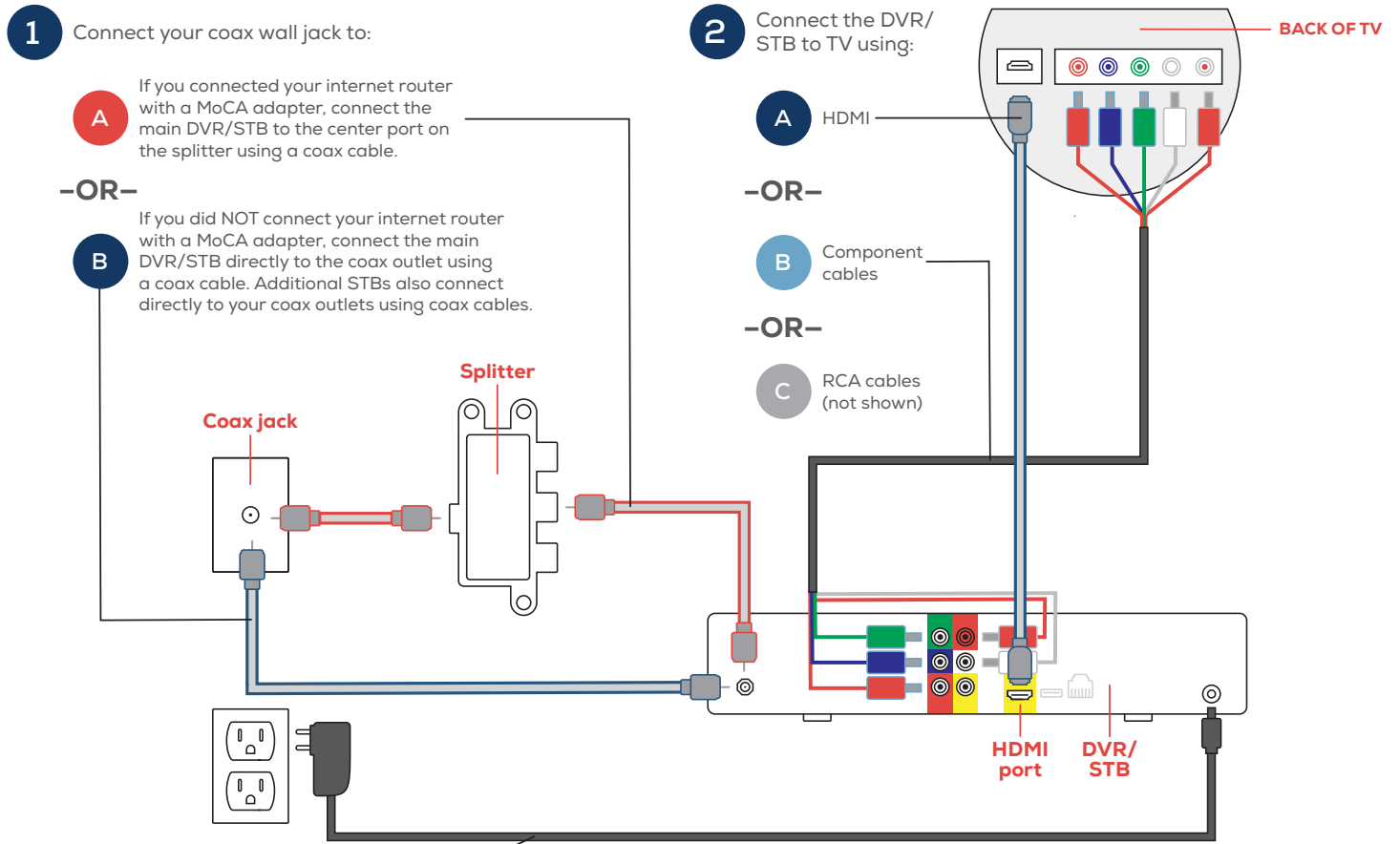
 The globe light, on the front of the router, will flash, then become solid blue when you have internet connectivity (this may take several minutes)

 Connect your devices using your Wi-Fi Name and Password (see the label on the bottom of your router)

Step 2 | TV Equipment Set Up

Tips

- Your router must be connected to the internet before installing and activating your TV equipment
- If you received a DVR device, this box must be installed/activated before the other Set-Top Boxes (STB)



3 Connect the DVR/STB power cord to the DVR/STB and plug into the electric outlet

 Press the STB power button on the remote control, turn the TV on and follow the prompts for activation

 Follow the TV screen prompts for activation

The activation of your video equipment is automatic and will complete within 30 minutes.

Installing a DCT700 Digital Adapter

1. Connect the coax wire from the wall outlet to the COAX IN port on the DCT700 Digital Adapter.
2. Connect the 2nd coax cable from the COAX OUT port on the DCT700 Digital Adapter to the TV coax port.

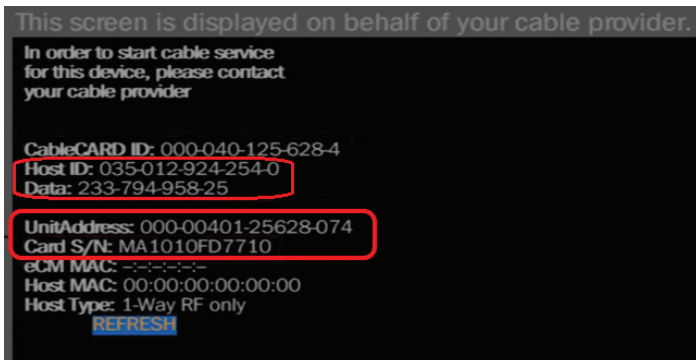
Note: RCA cables R/W/Y (not provided) could be used in lieu of coaxial cables from the adapter to the TV.

3. Connect the power adapter cable to the DCT700 power port.
4. Plug the power adapter cable into the electrical outlet.
5. Use the remote control to power on the device.
6. Contact Frontier to activate the device at **1.866.739.4319**.

Installing a CableCARD

The Motorola/Arris CableCARD, also known as the M-Card (Multi-stream Card) is leased separately for those that wish to use CableCARD-ready devices (such as TiVO or HDHomeRun and some television manufacturers) versus a digital High Definition set-top box.

1. Connect the CableCARD ready device to the home coaxial network.
2. Verify that all cables are connected correctly by following the device manufacturer instructions (power, HDMI or Audio / Video cables).
3. Write down the CableCARD (M-Card) serial number and Unit Address before inserting into the device (refer to the device manual for instructions on which slot to use).
4. Insert the CableCARD into the device following manufacturer device manual.
5. If a menu does not immediately appear, navigate to the device settings screen (CableCARD Pairing) to find the Host ID and Data ID:



6. Record the Host ID and Data ID numbers and contact Frontier for activation. We're available 24/7 at **1.866.739.4319**.
- Note: Each time the CableCARD is removed from the device the Data ID will change. A call to Frontier will be required to update the CableCARD if the card is removed and reseated.